

Pileup Separator Processor APV8101S

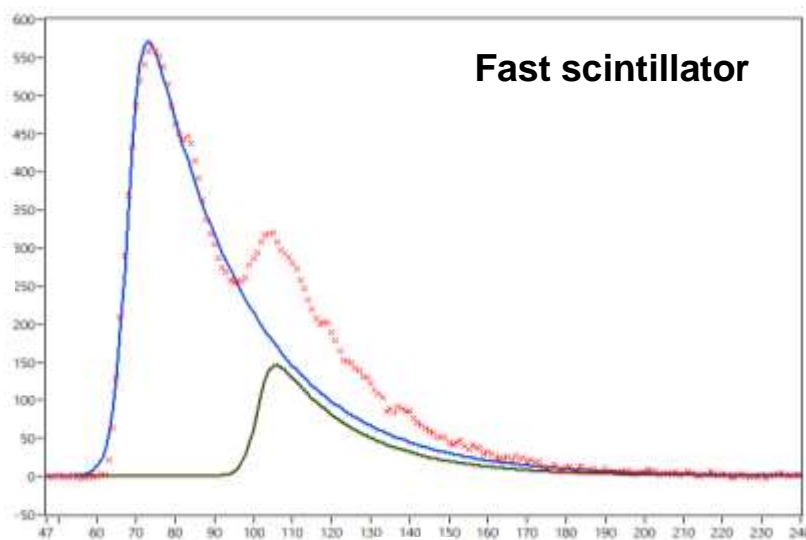
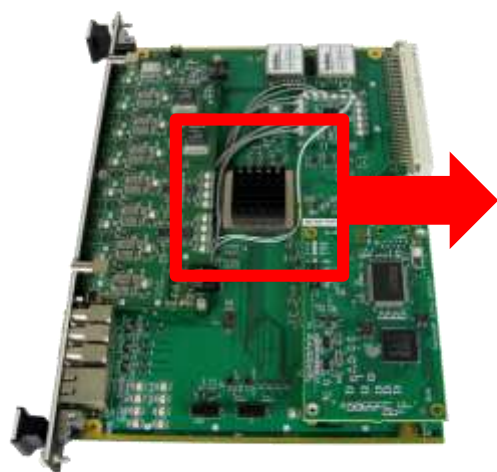
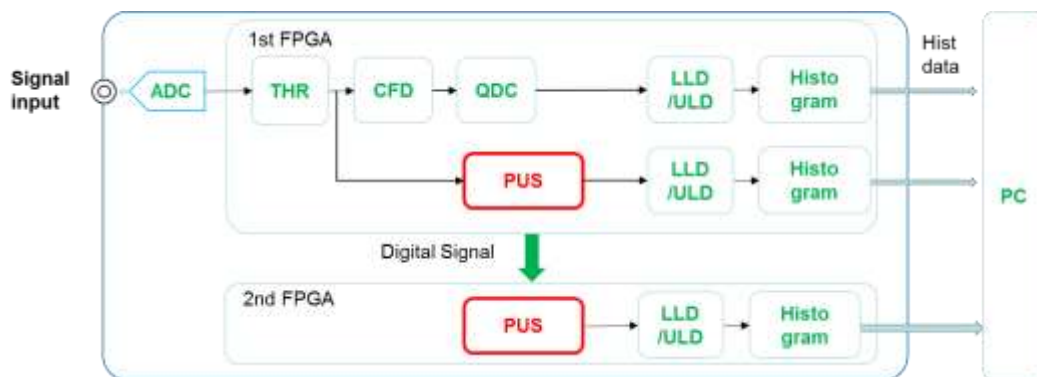
MADE IN JAPAN

1Gbps 14-bit Pileup separator, High output rate

VME

Pileup separator processor installed in hardware!
Separate 1G sampling data in real time.
The output is further improved with multiple boards.

- ADC: **1Gbps, 14-bit, 1CH**
- Input Signal Type: **Fast Scintillator, etc.**
- Output: **2Mcps or more / CH**
- Analysis mode: **Histogram, List**
- Input range: **±1V (Input impedance : 50Ω)**
- Function: **Real time Pileup Separator**
- Interface: **TCP/IP, Gigabit Ethernet**



Pileup Separator Processor
Build in FPGA

TechnoAP

Design and fabrication of electronic circuit associated with measurement control and radiation measurement

TechnoAP Co., Ltd.

+81-29-350-8011

+81-29-352-9013

2976-15 Mawatari, Hitachinaka-shi, Ibaraki, 312-0012, Japan

<http://www.techno-ap.com>

order@techno-ap.com

Updated on 2017/10/20