

High Resolution Digital Pulse Processor

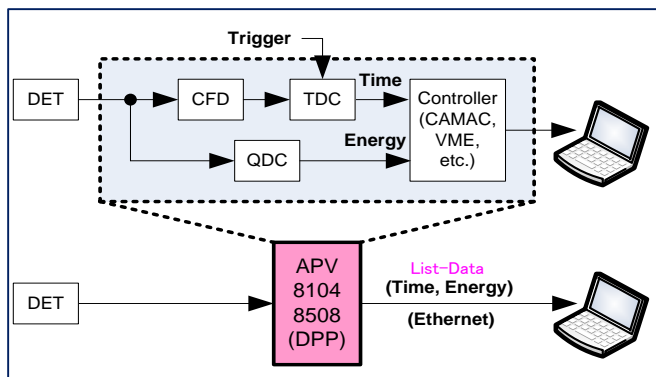
MADE IN JAPAN

APV8104-14/12 (1Gsp/s), APV8508-14/12 (500Msp/s)

VME

Feature

- ADC 1Gsp/s, 14 or 12-bit, 4CH (APV8104-14/12)
500Msp/s, 14 or 12-bit, 8CH (APV8508-14/12)
- Time Resolution 1Gsp/s, Coarse: 1ns | Fine: 3.9ps, LSB
500Msp/s, Coarse: 2ns | Fine: 7.8ps, LSB
- Output 1Mcps or more / CH
- Analysis Mode List (TDC+QDC etc.), Wave, Histogram etc.
- Functions (digital) CFD, TDC, QDC
- Option*1 PSA, Coincidence, Wave-List, Wave-Pileup-List etc.
- Interface TCP/IP or UDP, Gigabit ethernet, Data transfer 10MByte/sec.
- Application n / γ discrimination and β ray measurement by a liquid scintillator
High speed / High resolution scintillator such as LaBr₃ (Ce)

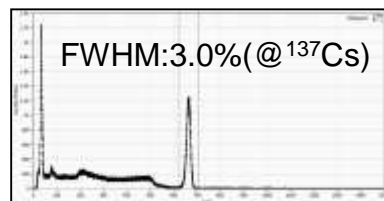


APV8104-14/12

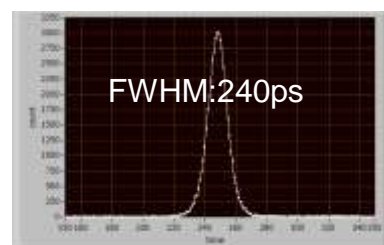
APV8508-14/12

List data (80bit / Event)

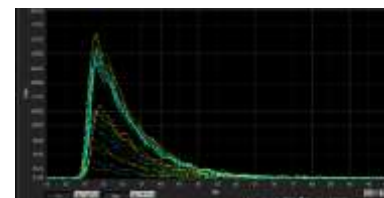
	79	15	12	0
Event#1	TDC[63..0]	CH#[2..0]	QDC[12..0]	
Event#2	TDC[63..0]	CH#[2..0]	QDC[12..0]	
Event#N	TDC[63..0]	CH#[2..0]	QDC[12..0]	



Histogram (Energy resolution)



Analysis example (Time resolution)
Detector: LaBr₃ (Ce) vs. LaBr₃ (Ce)



Wave

Specifications

Analog signal input type	Anode signal of PMT, Fast-NIM signal etc.
Analog input range	$\pm 1V$ *1 (Input impedance: 50 Ω) LEMO connector x 8
Analog gain switch	$\times 1 / \times 3$ *1
Analog signal Rise time	1ns or less (APV8104-14/12) 2ns or less (APV8508-14/12)
External terminal of Input and Output (TTL level)	CLK input, CLK output, GATE input, VETO input CLR input, OR output (LEMO connector x 6) *1
Dimensions (Unit: mm) Weight	VME 1 width, 20(W) \times 262(H) \times 187(D) About 460g

*1: Addition of options, specification change is possible.

Lineup

Model	Sampling	Resolution	Num. of CH	Price (Tax excluded)
APV8104-14	1Gsp/s	14-bit	4	From \$ 20,000 USD
APV8104-12	1Gsp/s	12-bit	4	From \$ 17,600 USD
APV8508-14	500Msp/s	14-bit	8	From \$ 18,000 USD
APV8508-12	500Msp/s	12-bit	8	From \$ 14,400 USD

*Images is for illustration purpose.

*Please note that contents may change without prior notice.

TechnoAP

Design and fabrication of electronic circuit associated with measurement control and radiation measurement

TechnoAP Co., Ltd.

+81-29-350-8011

+81-29-352-9013

2976-15 Mawatari, Hitachinaka-shi, Ibaraki, 312-0012, Japan

<http://www.techno-ap.com>

order@techno-ap.com

Updated on 2017/10/17