

Digital Pulse Processor

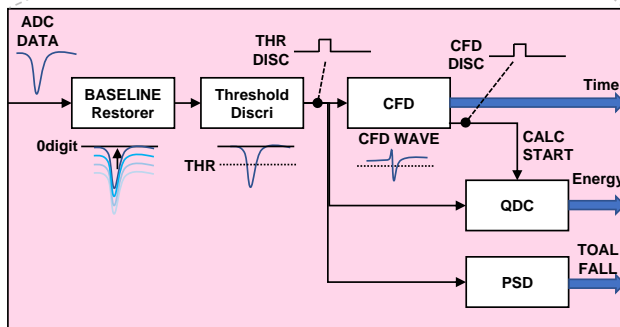
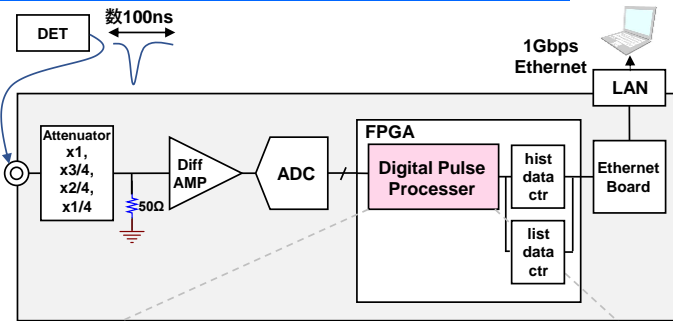
APV82516-14 250MSPs, Input 16ch.

Feature

- ★ ADC **250MSPs, 16 channel, Resolution 14-bit**
- ★ Time resolution Coarse : 4ns | Fine : 15.6ps, LSB
- ★ Output **1Mcps or more per channel** *For histo-mode measurement
- ★ Analysis mode List, Wave, Histogram, *Option: List-Wave
- ★ Functions Digital-CFD, -TDC, -QDC, -PSD
- ★ Communication I/F TCP/IP, Gigabit ethernet
- Data transfer: 30 MByte (Gigabit) per seconds or more
- ★ For Usage Systems for multi-channel analysis with excellent time and energy resolution, waveform discrimination data analysis, multi-channel readout systems for various scintillators and wire chambers.



Block Diagram

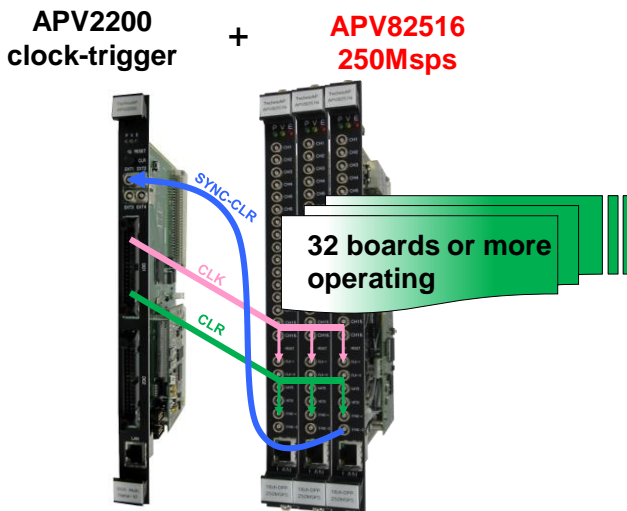


- Data collection application included.
- Various sample program are also provided.

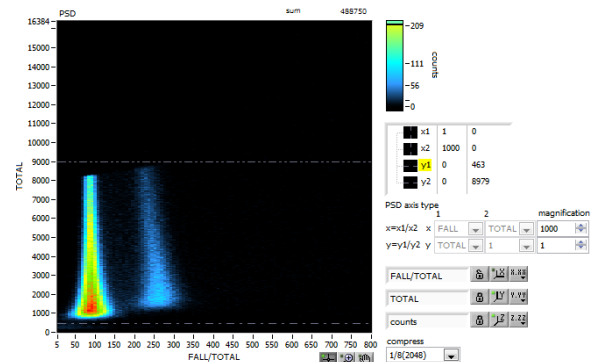
Data acquired in list mode

	111	95	79	15	11	0
Event# 1	PSD TOTAL [15:0]	PSD FALL [15:0]	TDC[63..0]	CH[3..0]	QDC[11..0]	
	⋮					
Event# N	PSD TOTAL [15:0]	PSD FALL [15:0]	TDC[63..0]	CH[3..0]	QDC[11..0]	

Example of multiple board use



PSD functionality as standard



Measured using a stilbene scintillator and Cf-252. Results of analysis of data acquired in list mode.

*Images is for illustration purpose.
*Please note that contents may change without prior notice.

