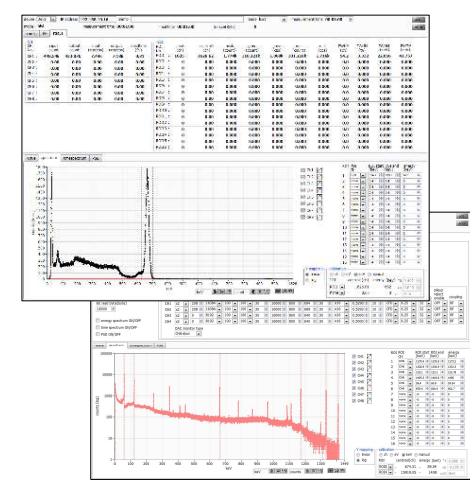
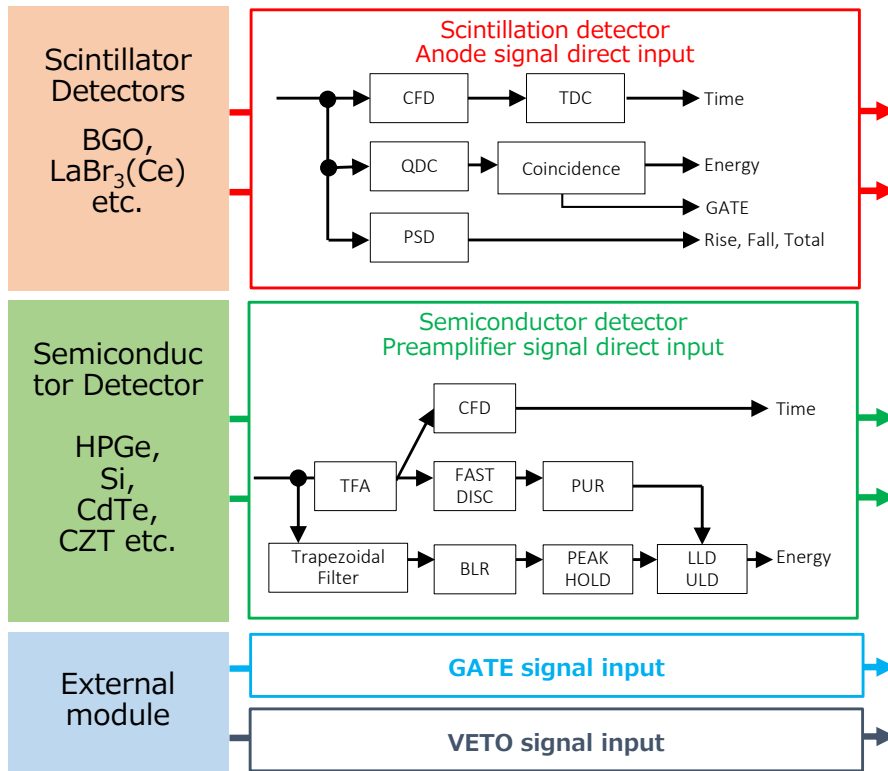
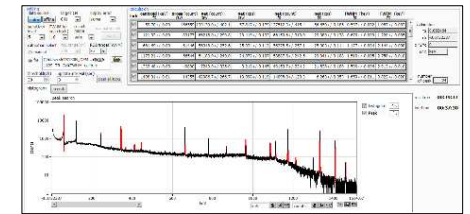


## APV8M42

This is a hybrid processing module. One of DPP that anode output signal can input direct without preamp and get data timing acquisition and integration, one of DSP that preamp output signal can input direct and have performs trapezoidal filter processing from Ge semiconductor.  
It is capable simultaneous measurements to do both a high time resolution and a high energy resolution.



**Histogram Mode**



**Peak Search Analysis**

### Specifications

	DPP (CH1~CH4)	DSP (CH5~CH6)
Input	4 channel LEMO Input Impedance: 50 Ω Range: ±1 V	2 channel LEMO Input Impedance: 1 kΩ Range: ±2 V
Couse Gain	x1, x3	x1, x2, x5, x10
ADC	500Msps, 14bit	62.5Msps, 16bit
ADC Gain	4k, 2k, 1k, 512, 256 ch.	16k, 8k, 4k, 2k, 1k, 512, 256 ch.
Digital Processing	QDC, CFD, TDC, PSD, Coincidence	Trapezoidal Filter rise time 0.1~20μs(0.01μs step) flattop time 0.05~2μs(0.01μs step) Timing Filter, Baseline Restorer Course Gain x1, x2, x4, x8, x16, x32, x64, x128 Fain Gain x0.3333~x1.0000
Time Resolution	7.8125ps	62.5ps
External Terminal	GATE Input, VETO Input, Clock Input/Output, Clear Input, LEMO Connector	
Communication I/F	Gigabit Ethernet, TCP/IP, UDP	
Power Consumption	+5V(max4.0A), +12V(max1.0A), -12V(max0.5A) *VME Powered Create	
Dimension Weight	20(W)x262(H)x187(D) mm *attachment excluded, approximate 460g	
Application	Data Measurement Control, Spectrum Analysis Software	

\*Images is for illustration purpose.  
\*Please note that contents may change without prior notice.

### TechnoAP Co., Ltd.

2976-15 Mawatari, Hitachinaka, Ibaraki, Japan 312-0012  
TEL:+81-29-350-8011 FAX: +81-29-352-9013  
[info@techno-ap.com](mailto:info@techno-ap.com)



<https://www.techno-ap.com>

